

PANTHER |

Telescope Mount *TTS-160*

FOLDING PIER



User manual

Contents

Introduction	3
Product safety Always setup the Pier on a level surface so that it cannot fall over.	3
Receiving the Folding Pier	3
Specifications.....	3
Setting up the Folding Pier.....	4
Installation of the mounting head	5
Appendix A – Installation of Pier adapter on Mount Head	8
Appendix B – Pier Height, Pier Extension	9
Appendix C – Part numbers	10

Introduction

TTS-160 Panther Folding Pier is a stable and compact telescope mount pier. It is designed with ultimate transportability in mind. It comes in one compact bag and can be setup in seconds. When used with the TTS-160 Panther mount head no leveling is needed. When used with other mount heads the pier can be levelled with adjustment feet on the pier legs.

To complete the easiness for transport and setup the pier uses a fast lock rotatable adapter to fix the mount head. This adapter is installed on the mount head and stays there. Attaching the mount head to the pier only takes very few seconds.

This manual primarily describes how the Folding Pier can be used with other telescope mounts. The use with the TTS-160 Panther mount is described in the Panther user manual.

Product safety

Always setup the Pier on a level surface so that it cannot fall over.

When installing the mount head always hold on to it until the lock screw has been tightened.

Receiving the Folding Pier

The Folding Pier is unpacked from the shipping box and is immediately ready for use.

Specifications

Pier Capacity	80 kg
Pier Height (w/ pier extension) (see appendix B for details)	78 cm/30" (100 cm/40")
Pier weight	12 kg
Transport bag size	Length 60cm/24", Diameter 18cm/7"
Materials	Stainless Steel, Black anodized Aluminum. 100% Water resistant.

Setting up the Folding Pier

1. Unfold legs and place on ground.

Take the pier from the transport bag and place with the red handle upwards. Remove the pier base from the pier tube lifting in the red handle.

Unfold the legs and place the pier base on the ground. The ground must be approximately horizontal.



2. Setup the pier tube

The pier is placed on the pier base. Position the slots above the legs.

Raise and extend the three tension rods.

Tilt the pier tube a little and insert two of the hooks in the slots in the pier tube.

Extend the third tension rod by turning the hook until it can be inserted into the slot. If needed extend the other tension rods.

Now tighten the tension rods by turning the black cylindrical handles. See to that the tension rods are kept the same length (watch how much of the thread that is visible on the hook).

NOTICE:

Tighten until the pier feels stable but do NOT over tighten the handles.



3. Level the pier (not needed for Panther Mount Head)

When placing the pier on the ground the surface must be hard and fairly level. If the ground is soft place a wooden plate or stone beneath each pier foot. If the ground is not level use wood or stone to create stable and almost level stands.

Now level the pier precisely by adjusting the feet on the pier. The feet are adjusted by rotating them on the threaded bushing. Each foot can be adjusted 15mm.



Installation of the mounting head



NOTICE

The Pier Adapter must be installed on the Mounting head before installing the mounting head on the pier. See Appendix A.

4. Place the mounting head on the pier

When the mounting head is placed on the top of the pier the locking screw of the pier adapter automatically catch the threaded hole in the top of the pier.



WARNING: Be careful not to knock over the mounting head before the locking screw is tightened. Hold on to mount head until it is fixed.

The mounting head and the pier are locked together by tightening the locking screw with the handle inside the pier adapter. Do not over tighten the screw.



1 Paramount MyT with Pier adapter installed



2 Paramount MyT on TTS-160 Folding Pier



3 Paramount MyT, Celestron C9.25

Appendix A – Installation of Pier adapter on Mount Head

The Pier adapter allows for a very quick and simple fixation of the mount head to the folding pier. It is installed on the mount head and stays there during transport.



4 Pier Adapter

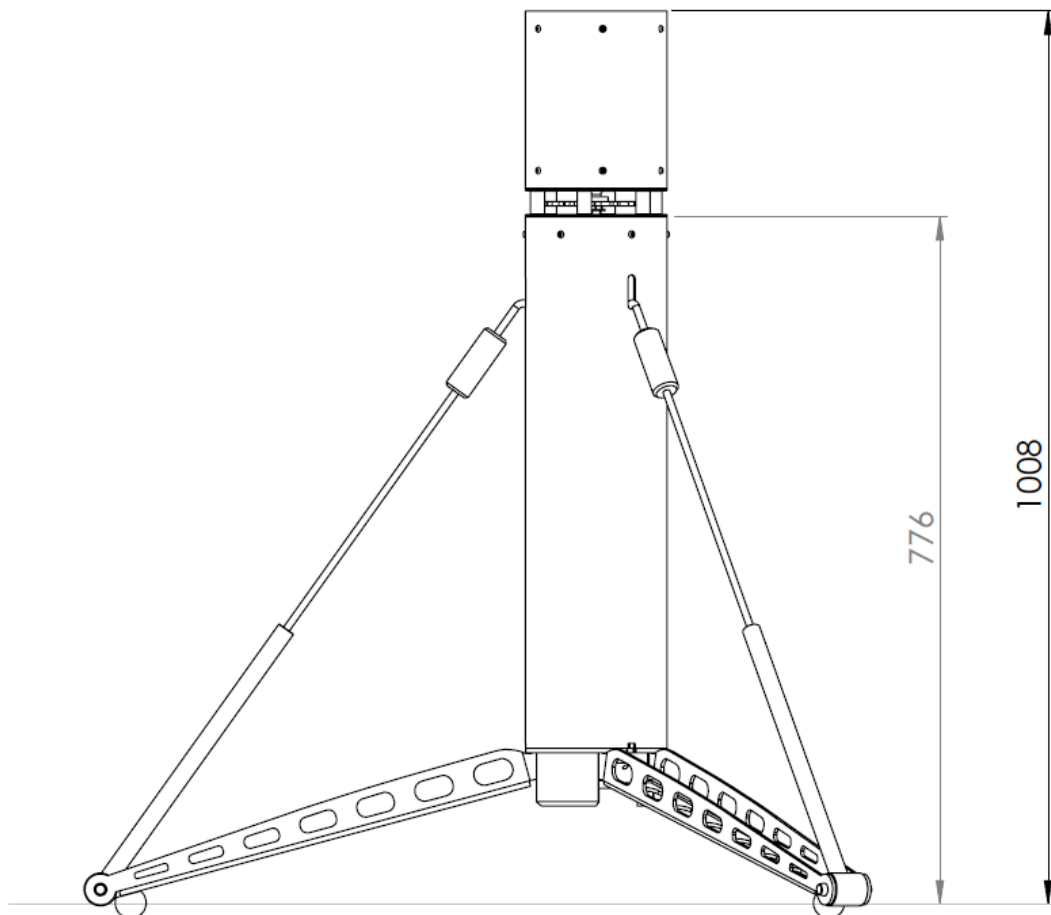
The Pier adapter is fixed with screws to a standard adapter made for the mount head in scope. We can deliver solutions for the following mount heads:

Manufacturer	Mount name
Astro-Physics	400, 600, Mach-1 AP-900
Avalon Instruments	M-Uno, M-Zero Linear
Celestron	CGX, CGX-L CGEM CGE, CGE-PRO
Ioptron	CEM60, CEM120 IEQ45
Losmandy	G8, G11
Sky Watcher	EQ6 EQ8
Software Bisque	Paramount MyT
Vixen	Sphinx Atlux AXD
10 Micron	GM1000, AZ1000

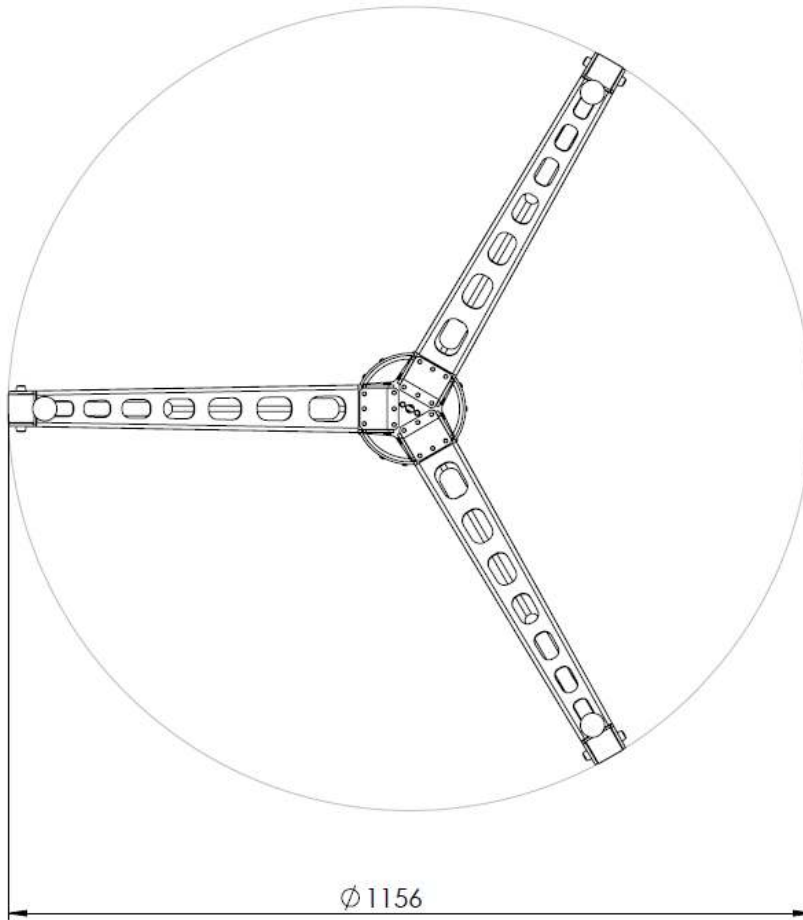
If your mount head is not in the list, please contact us. We can make solutions for other mount heads.

Appendix B – Pier Height, Pier Extension

The Folding pier has a basic height of 78cm/30". It is possible to use an optionable Pier Extension to increase the height to 100 cm. Special height Piers can be custom made. Contact us for details.



Folding Pier Height: 778 mm
With Extension: 1008 mm



Folding Pier footprint

Appendix C – Part numbers

Part Number	Description	Comment
TTS160JA	TTS-160 Folding Pier with adjustable feet.	
TTS160K	TTS -160 Pier Adapter	This part is needed to fix mount head
TTS160Q	Pier Extension Tube	An extra Pier adapter is needed together with this part.
MHADAP	Adapter for the specific mount head to be used on the pier.	This part is customized per order. Contact us for details.