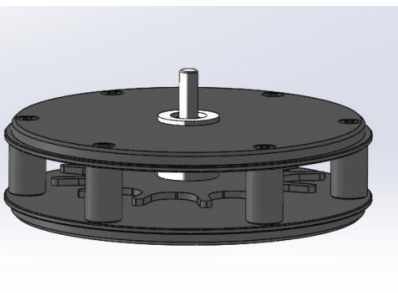
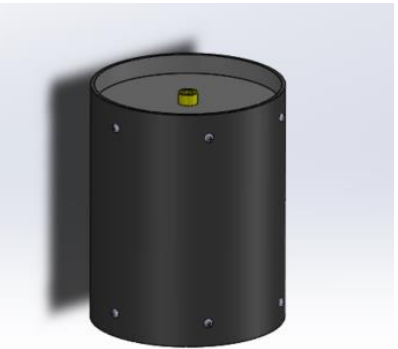
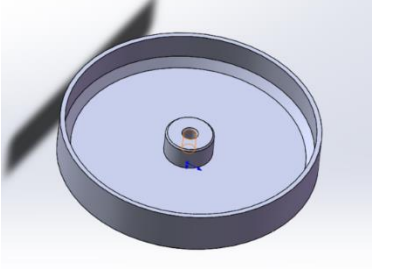


Tripod adapter and pier extension for TTS-160 Panther Mount

Part overview

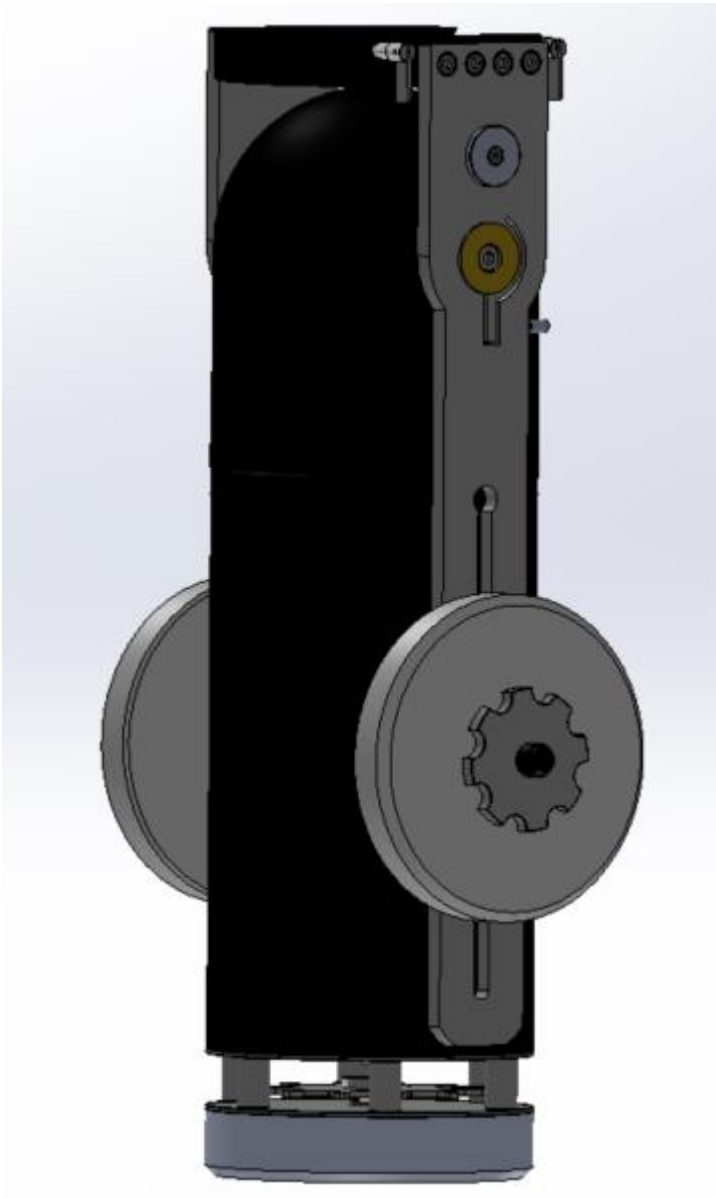
Article #	Description	Picture
TTS160K	TTS-160 Panther Pier adapter	
TTS160Q	TTS-160 Panther Pier Extension 200mm/8"	
TTS160R	TTS160 Panther Tripod (flat surface) adapter	

Tripod adapter and pier extension for TTS-160 Panther Mount

Combination methods:

TTS160R Tripod adapter can be mounted on any flat top tripod/pier and fixed with 3/8" bolt.

Mount head or pier extension can be mounted onto the Tripod adapter using TTS160K pier adapter. This enables for fast, stable and easy mounting of the head.



Tripod adapter and pier extension for TTS-160 Panther Mount

Pier extension used on TTS-160 Folding Pier (or on Tripod adapter)



To extend Pier one pcs TTS160Q and one pcs TTS160K is needed (new parts). Besides this one pcs TTS160K is needed on the mount head.