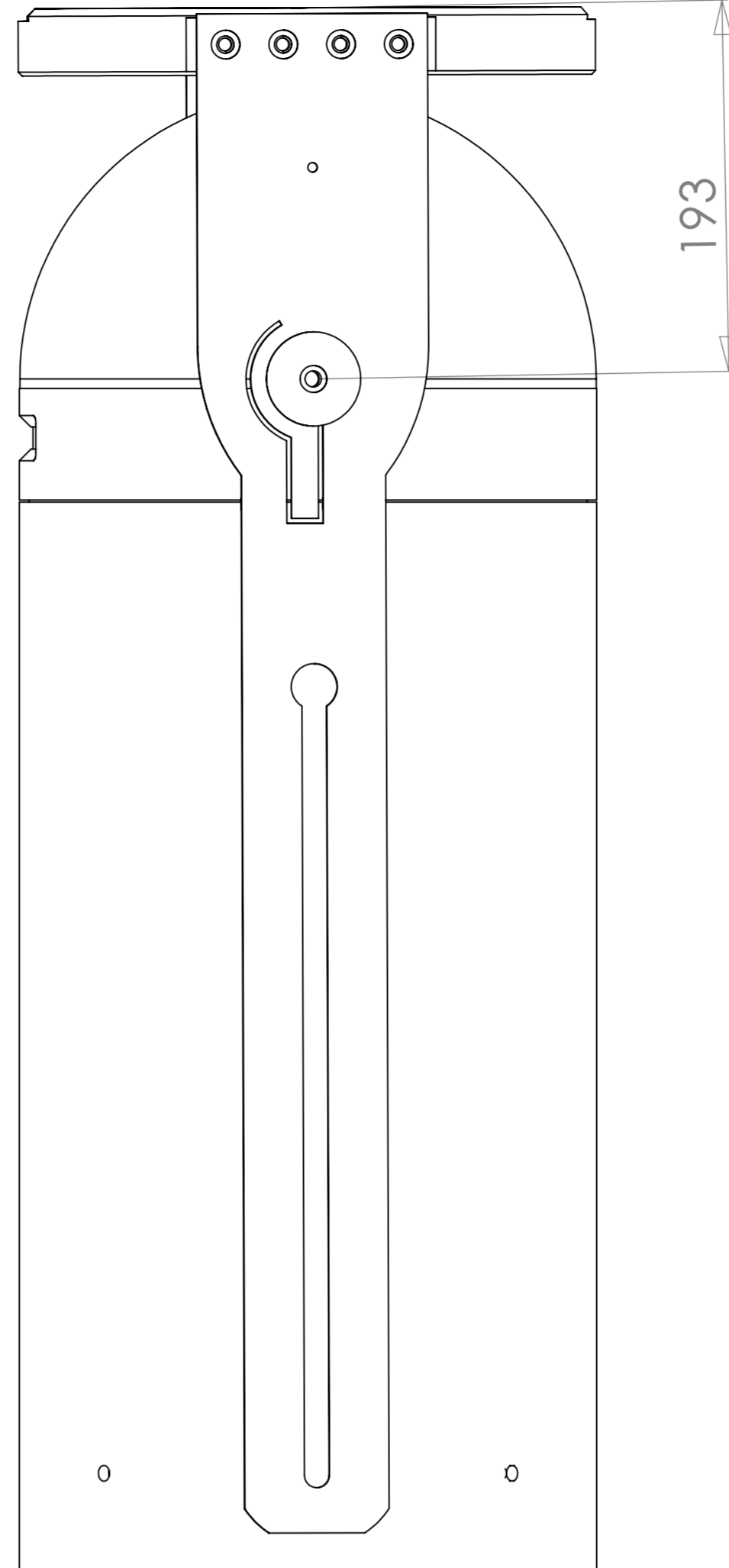
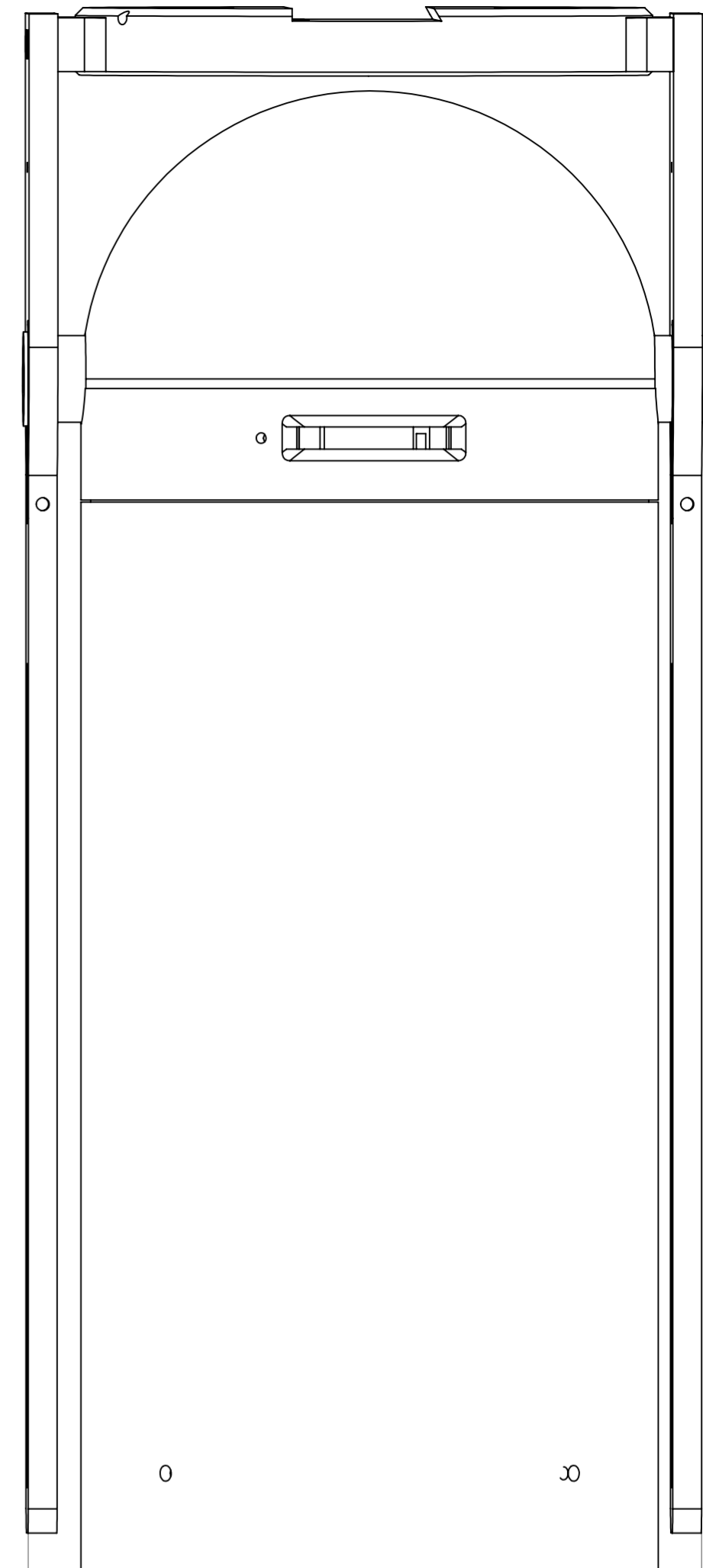


812

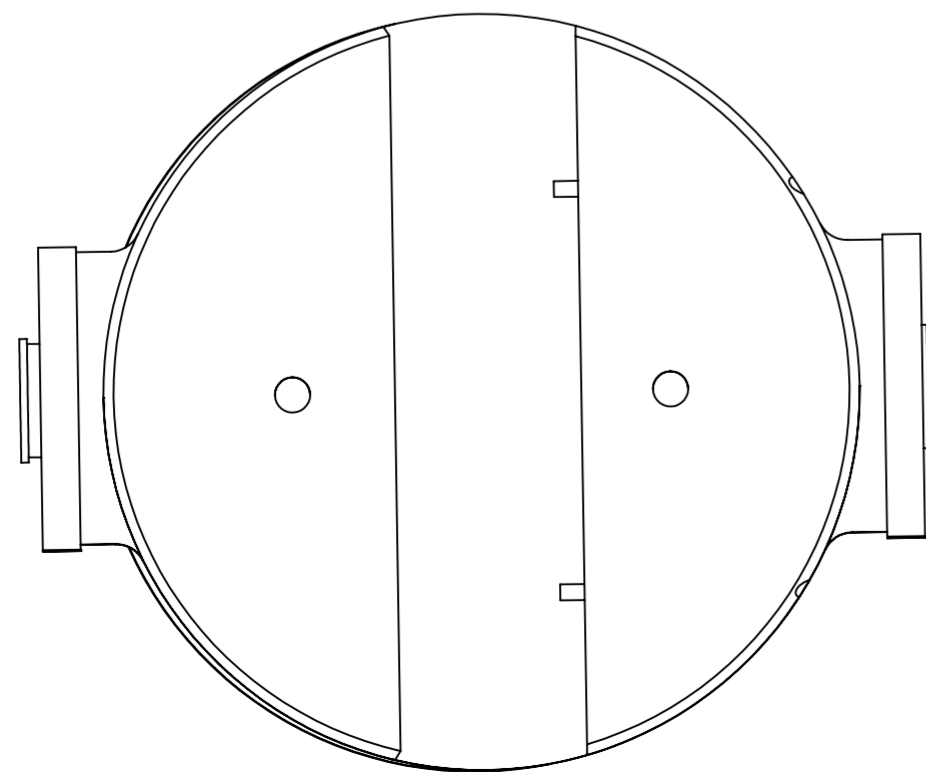


193

∅ 300



350



Material:	Approved: NTH	Date: 01.09.2009		Engshøjvej 17, Ganløse DK-3660 Stenløse Denmark	
Surfacetreatment:	Type: TTS-300 Telescope Mounting			Typeno:	
Tolerance: ± 1 mm	Scale: 1:3	Description: TTS-300 Telescope Mounting		Draw.no.: TTS-300 MD	Rev.date: Rev.no.: